

GeOMEDI

Multi-screw Abutment

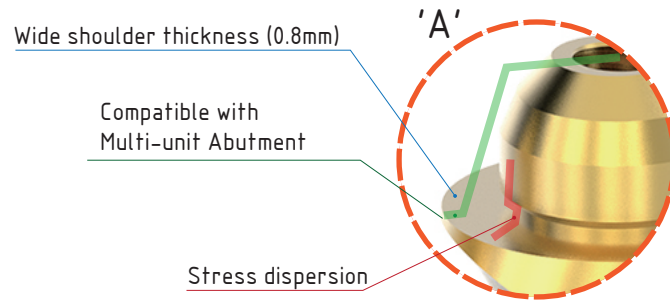
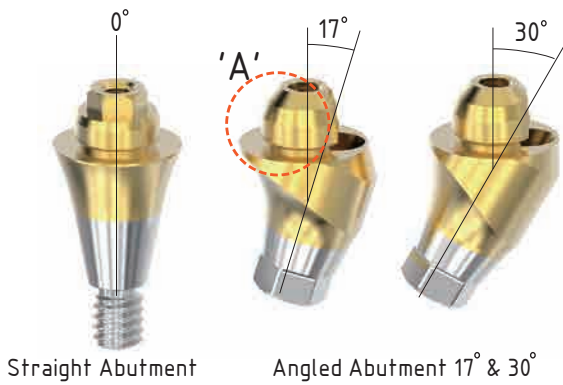


- CAD/CAM restoration / Geo Multi-screw Library
Implant Bridge for Zirconia, Titanium and Cobalt Chrome
Zirconia Hybrid
'All On 4" / Hybrid Bar / Bar Overdenture
- Conventional & Digital
- Overdenture, Screw-Retained Restorations.
- Nobel Multi-unit Abutment Plus (4.8mm)

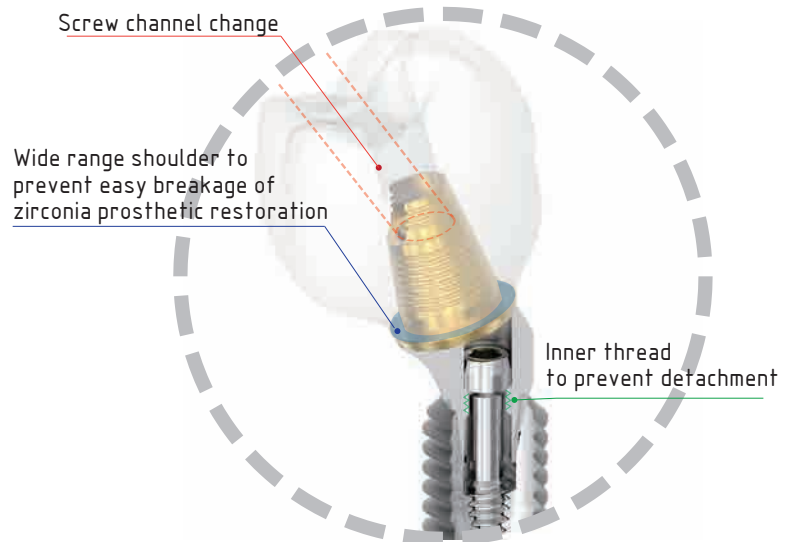
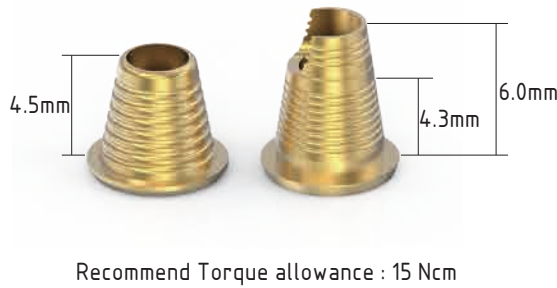


Multi-screw Abutment & LB-Cylinder

● Multi-screw Abutment



● LB-Cylinder



Multi-screw prosthetic components of CAD/CAM restoration

● Scanbody



T-Scanbody

Scanbody & transfer impression coping.
Necessary for angled analog & Cylinder screw hole direction.

H-Scanbody

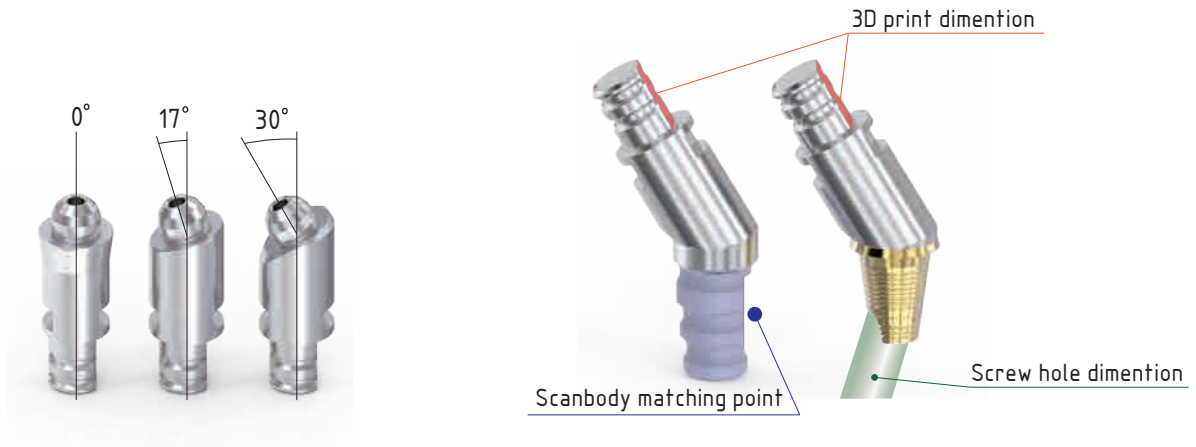
Healing cap & Scanbody (Spray required).

SC2-Scanbody

Scanbody for both plaster model and intra-oral.

Multi-screw prosthetic components of CAD/CAM restoration

● 3D Analog



● GTS Scanbody & Healing cap (New 2022)

Various sizes with different gingival height are available. Providing High precise Geo library for CAD s/w. Special tool allows finding right position and preventing detachment of screw.

Direct Impression → Digital process
Healing cap & Bite Index

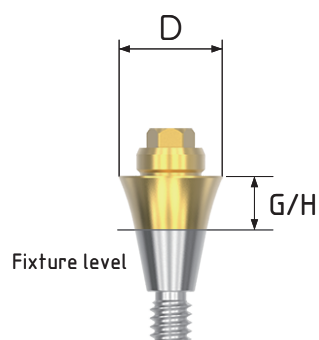
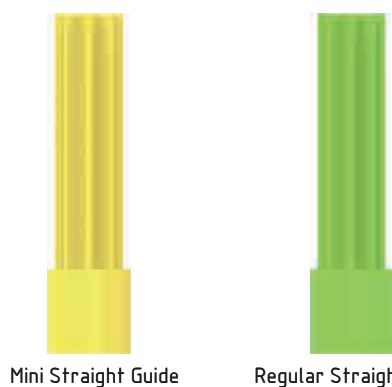


Fix with 1.2 Hex Driver
Recommended torque allowance : 10Ncm
packing unit : GTS Healing Cap

Compatible Implant Systems

OSS - Series (Osstem Implant TS) Multi-screw ABT

Multi-screw Straight Abutment

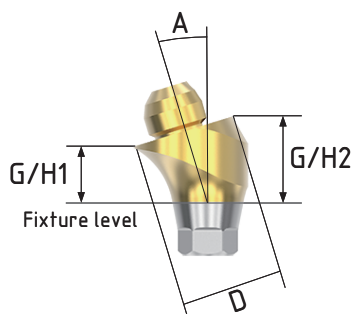


- * SUM - Osstem Implant TS Mini
- * SURO - Osstem Implant TS Standard / Dio UF Regular

Fix with special Straight Guide
 Recommended torque allowance: 30 Ncm(Driver code: G-DV)
 packing unit : Multi-screw Straight Abutment + Straight Guide



	G/H	1.5mm	2.5mm	3.5mm	4.5mm	5.5mm
D 4.8 M						
	Code	G-S15SUM	G-S25SUM	G-S35SUM	G-S45SUM	G-S55SUM
D 4.8 R						
	Code	G-S15SURO	G-S25SURO	G-S35SURO	G-S45SURO	G-S55SURO

Multi-screw Angled Abutment




Exclusive Angled Abutment Screw
 Fix with 1.2 Hex driver
 Implant fixture angle covers up to 108°
 Recommended torque allowance :
 Mini(20Ncm), Regular(30Ncm)
 packing unit : Multi-screw Angled Abutment
 + Angled Guide + screw

Angled Abutment Guide


D4.8 M	G/H2	3.0mm	4.0mm	5.0mm	4.0mm	5.0mm	6.0mm	
	G/H1	1.5mm	2.5mm	3.5mm	1.5mm	2.5mm	3.5mm	
	A	17°	17°	17°	30°	30°	30°	
Code		G-A1715SUM	G-A1725SUM	G-A1735SUM	G-A3015SUM	G-A3025SUM	G-A3035SUM	G-ASUMC
D4.8 R	G/H2	3.0mm	4.0mm	5.0mm	4.0mm	5.0mm	6.0mm	
	G/H1	1.5mm	2.5mm	3.5mm	1.5mm	2.5mm	3.5mm	
	A	17°	17°	17°	30°	30°	30°	
Code		G-A1715SURO	G-A1725SURO	G-A1735SURO	G-A3015SURO	G-A3025SURO	G-A3035SURO	G-ASUROC

XV - Series (Dentsply Xive/Frialit2) Multi-screw ABT


Multi-screw Straight Abutment



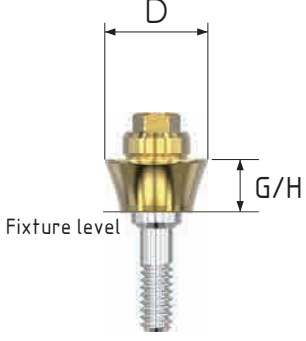
M(3.4) Straight Guide






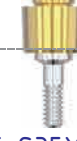

R(3.8) Straight Guide



W(4.5) Straight Guide



Fix with special Straight Guide
Recommended torque allowance: 24 Ncm(Driver code: G-DV)
packing unit : Multi-screw Straight Abutment + Straight Guide

	G/H	1.5mm	2.5mm	3.5mm	4.5mm	5.5mm
D 4.8 M(3.4)						
Code		G-S15XVM	G-S25XVM	G-S35XVM	G-S45XVM	G-S55XVM
D 4.8 R(3.8)						
Code		G-S15XVR	G-S25XVR	G-S35XVR	G-S45XVR	G-S55XVR
D 4.8 W(4.5)						
Code		G-S15XVW	G-S25XVW	G-S35XVW	G-S45XVW	G-S55XVW

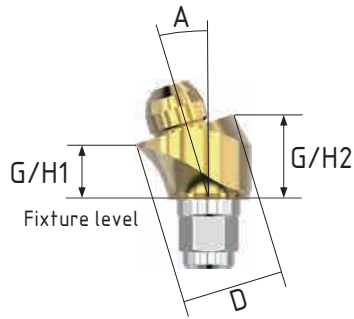
Multi-screw Angled Abutment



Angled Abutment Guide



Angled Abutment Screw



Exclusive Angled Abutment Screw

Fix with 1.2 Hex driver

Implant fixture angle covers up to 108°

Recommended torque allowance :

M / R / W (24Ncm)

packing unit : Multi-screw Angled Abutment

+ Angled Guide + screw

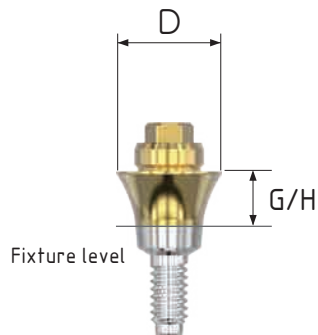
	G/H2	3.0mm	4.0mm	5.0mm	4.0mm	5.0mm	6.0mm	
	G/H1	1.5mm	2.5mm	3.5mm	1.5mm	2.5mm	3.5mm	
	A	17°	17°	17°	30°	30°	30°	
D4.8 M(3.4)								
	Code	G-A1715XVM	G-A1725XVM	G-A1735XVM	G-A3015XVM	G-A3025XVM	G-A3035XVM	
	G/H2	3.0mm	4.0mm	5.0mm	4.0mm	5.0mm	6.0mm	
	G/H1	1.5mm	2.5mm	3.5mm	1.5mm	2.5mm	3.5mm	
	A	17°	17°	17°	30°	30°	30°	
D4.8 R(3.8)								 G-AXVC
	Code	G-A1715XVR	G-A1725XVR	G-A1735XVR	G-A3015XVR	G-A3025XVR	G-A3035XVR	
	G/H2	3.0mm	4.0mm	5.0mm	4.0mm	5.0mm	6.0mm	
	G/H1	1.5mm	2.5mm	3.5mm	1.5mm	2.5mm	3.5mm	
	A	17°	17°	17°	30°	30°	30°	
D4.8 W(4.5)								
	Code	G-A1715XVW	G-A1725XVW	G-A1735XVW	G-A3015XVW	G-A3025XVW	G-A3035XVW	

MGN- Series (Megagen AnyRidge) Multi-screw ABT

Multi-screw Straight Abutment



Straight Guide



Fix with special Straight Guide
 Recommended torque allowance : 30Nm (Driver code: G-DV)
 packing unit : Multi-screw Straight abutment
 + Straight Guide

	G/H	1.5mm	2.5mm	3.5mm	4.5mm	5.5mm
D 4.8						
	Code	G-S15MARR	G-S25MARR	G-S35MARR	G-S45MARR	G-S55MARR

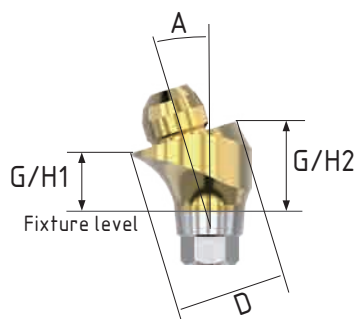
Multi-screw Angled Abutment



Angled Abutment Guide



Angled Abutment Screw



Exclusive Angled Abutment Screw
 Fix with 1.27 Hex Driver
 Implant fixture angle covers up to 108°
 Recommended torque allowance : 30Ncm
 packing unit : Multi-screw Angled Abutment
 + Angled Guide + screw









	G/H2	3.0mm	4.0mm	5.0mm	4.0mm	5.0mm	6.0mm	
	G/H1	1.5mm	2.5mm	3.5mm	1.5mm	2.5mm	3.5mm	
	A	17°	17°	17°	30°	30°	30°	
D4.8								
	Code	G-A1715MARR	G-A1725MARR	G-A1735MARR	G-A3015MARR	G-A3025MARR	G-A3035MARR	G-AMARRC








Multi-screw prosthetic components

OSS - Series (Osstem Implant TS) Multi-screw ABT

XV - Series (Dentsply Xive/Frialit2) Multi-screw ABT

MGN- Series (Megagen AnyRidge) Multi-screw ABT

Product	Healing cap & H-Scanbody	Healing cap & GTS-Scanbody & Bite Index			T-Scanbody & Transfer Impression Coping	SC2-Scanbody	Pick-up Impression Coping	3D Analog (Straight)
Image								
Code	HC-G48400	HC2-G50400	HC2-G50550	HC2-G50700	IP-G48T0	SC2-G480	IP-G48P0	3D-G48S

Product	3D Analog (Angled 17°)	3D Analog (Angled 30°)	Temporary Cylinder	LB Cylinder (Short)	LB Cylinder (Long)	CCM Cylinder	Cylinder Screw
Image							 1.2 Hex driver 15 Ncm
Code	3D-G4817A	3D-G4830A	TA-G480	LB2-G48400	LB2-G48600	G480	MUTOC

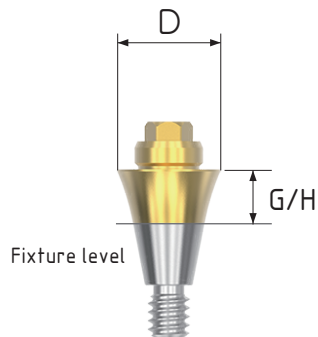
DT- Series (Dentium SuperLine) Multi-screw ABT

Multi-screw Straight Abutment

* DER - Dentium SuperLine / Megagen AnyOne
Dentis S-clean / Neo IS



Straight Guide



Fix with special Straight Guide
Recommended torque allowance : 30Nm (Driver code: G-DV)
packing unit : Multi-screw Straight abutment
+ Straight Guide

G/H	1.5mm	2.5mm	3.5mm	4.5mm	5.5mm
D 4.8					
Code	G-S15DER	G-S25DER	G-S35DER	G-S45DER	G-S55DER

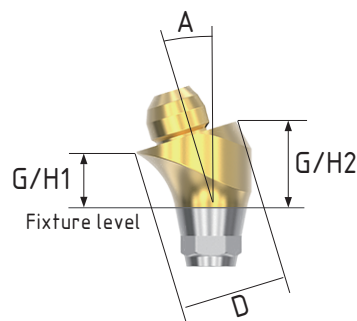
Multi-screw Angled Abutment



Angled Abutment Guide



Angled Abutment Screw

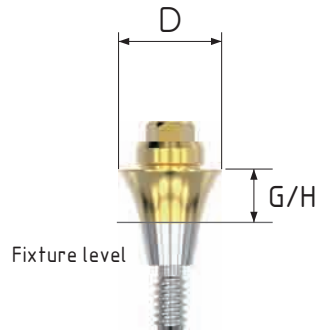
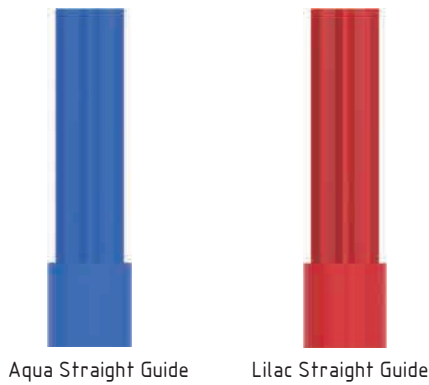


Exclusive Angled Abutment Screw
Fix with 1.27 Hex Driver
Implant fixture angle covers up to 108°
Recommended torque allowance : 30Ncm
packing unit : Multi-screw Angled Abutment
+ Angled Guide + screw

G/H2	3.0mm	4.0mm	5.0mm	4.0mm	5.0mm	6.0mm	
G/H1	1.5mm	2.5mm	3.5mm	1.5mm	2.5mm	3.5mm	
A	17°	17°	17°	30°	30°	30°	
D4.8							
Code	G-A1715DER	G-A1725DER	G-A1735DER	G-A3015DER	G-A3025DER	G-A3035DER	G-ADERC

AS- Series (Astra Tech Osseospeed) Multi-screw ABT

Multi-screw Straight Abutment



Fix with special Straight Guide
 Recommended torque allowance: 30 Ncm (Driver code: G-DV)
 packing unit : Multi-screw Straight Abutment + Straight Guide

	G/H	1.5mm	2.5mm	3.5mm	4.5mm	5.5mm
D 4.8 Aqua 3.5 / 4.0						
	Code	G-S15ASR	G-S25ASR	G-S35ASR	G-S45ASR	G-S55ASR
D 4.8 Lilac 4.5 / 5.0	G/H	1.5mm	2.5mm	3.5mm	4.5mm	5.5mm
Code	G-S15ASW	G-S25ASW	G-S35ASW	G-S45ASW	G-S55ASW	

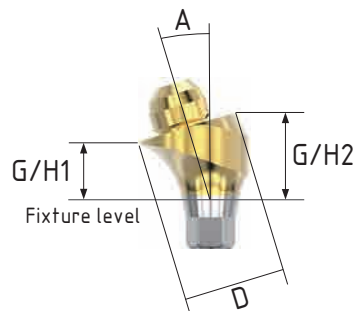
Multi-screw Angled Abutment




Angled Abutment Guide



Angled Abutment Screw

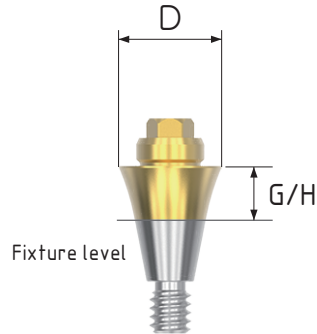
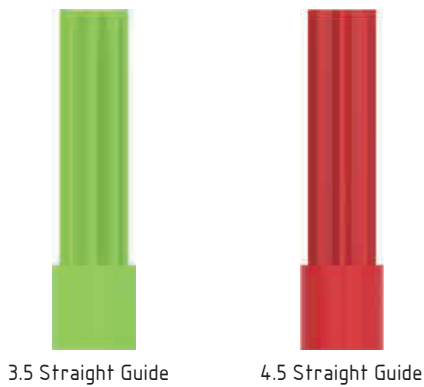


Exclusive Angled Abutment Screw
 Fix with 1.27 Hex driver
 Implant fixture angle covers up to 108°
 Recommended torque allowance :
 3.5/4.0(20Ncm), 4.5/5.0(30Ncm)
 packing unit : Multi-screw Angled Abutment
 + Angled Guide + screw

		G/H2	3.0mm	4.0mm	5.0mm	4.0mm	5.0mm	6.0mm	
		G/H1	1.5mm	2.5mm	3.5mm	1.5mm	2.5mm	3.5mm	
		A	17°	17°	17°	30°	30°	30°	
D 4.8 Aqua 3.5 / 4.0									
	Code		G-A1715ASR	G-A1725ASR	G-A1735ASR	G-A3015ASR	G-A3025ASR	G-A3035ASR	G-AASRC
		G/H2	3.0mm	4.0mm	5.0mm	4.0mm	5.0mm	6.0mm	
		G/H1	1.5mm	2.5mm	3.5mm	1.5mm	2.5mm	3.5mm	
		A	17°	17°	17°	30°	30°	30°	
D 4.8 Lilac 4.5 / 5.0									
	Code		G-A1715ASW	G-A1725ASW	G-A1735ASW	G-A3015ASW	G-A3025ASW	G-A3035ASW	G-AASWC

TSV- Series (Zimmer Tapered Screw-Vent) Multi-screw ABT

Multi-screw Straight Abutment



Fix with special Straight Guide
 Recommended torque allowance: 30 Ncm (Driver code: G-DV)
 packing unit : Multi-screw Straight Abutment + Straight Guide

		G/H	1.5mm	2.5mm	3.5mm	4.5mm	5.5mm
D 4.8 (3.5)							
	Code		G-S15TSV3	G-S25TSV3	G-S35TSV3	G-S45TSV3	G-S55TSV3
		G/H	1.5mm	2.5mm	3.5mm	4.5mm	5.5mm
D 4.8 (4.5)							
	Code		G-S15TSV4	G-S25TSV4	G-S35TSV4	G-S45TSV4	G-S55TSV4

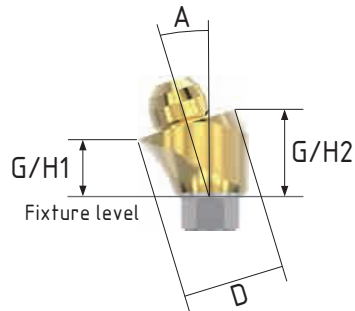
Multi-screw Angled Abutment



Angled Abutment Guide



Angled Abutment Screw



Exclusive Angled Abutment Screw

Fix with 1.27 Hex driver

Implant fixture angle covers up to 108°

Recommended torque allowance :

3.5(30Ncm), 4.5(30Ncm)

packing unit : Multi-screw Angled Abutment

+ Angled Guide + screw








	G/H2	3.0mm	4.0mm	5.0mm	4.0mm	5.0mm	6.0mm	
	G/H1	1.5mm	2.5mm	3.5mm	1.5mm	2.5mm	3.5mm	
	A	17°	17°	17°	30°	30°	30°	
D 4.8 (3.5)								
	Code	G-A1715TSV3	G-A1725TSV3	G-A1735TSV3	G-A3015TSV3	G-A3025TSV3	G-A3035TSV3	
	G/H2	3.0mm	4.0mm	5.0mm	4.0mm	5.0mm	6.0mm	
	G/H1	1.5mm	2.5mm	3.5mm	1.5mm	2.5mm	3.5mm	
	A	17°	17°	17°	30°	30°	30°	
D 4.8 (4.5)								
	Code	G-A1715TSV4	G-A1725TSV4	G-A1735TSV4	G-A3015TSV4	G-A3025TSV4	G-A3035TSV4	




Multi-screw prosthetic components

DT- Series (Dentium SuperLine) Multi-screw ABT

AS- Series (Astra Tech Osseospeed) Multi-screw ABT

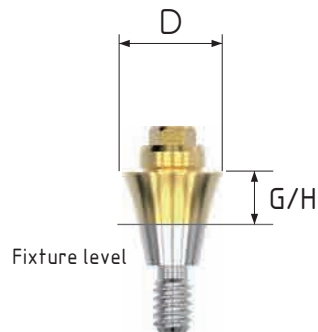
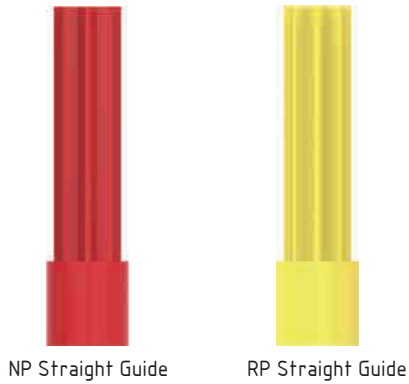
TSV- Series (Zimmer Tapered Screw-Vent) Multi-screw ABT

Product	Healing cap & H-Scanbody	T-Scanbody & Transfer Impression Coping	SC2-Scanbody	Pick-up Impression Coping	3D Analog (Straight)	3D Analog (Angled 17°)	3D Analog (Angled 30°)
Image							
Code	HC-G4840D	IP-G48TD	SC2-G48D	IP-G48PD	3D-G48S	3D-G4817A	3D-G4830A

Product	Temporary Cylinder	LB Cylinder (Short)	LB Cylinder (Long)	CCM Cylinder	Cylinder Screw
Image					 1.27 Hex Driver 15 Ncm
Code	TA-G48D	LB2-G4840D	LB2-G4860D	G48D	MUTDC

AC - Series (Nobel Biocare Active) Multi-screw ABT

Multi-screw Straight Abutment



Fix with special Straight Guide
 Recommended torque allowance: 30 Ncm(Driver code: G-DV)
 packing unit : Multi-screw Straight Abutment + Straight Guide

	G/H	1.5mm	2.5mm	3.5mm	4.5mm	5.5mm
D 4.8 NP (3.5)						
	Code	G-S15ACN	G-S25ACN	G-S35ACN	G-S45ACN	G-S55ACN
D 4.8 RP (4.3/5.0)	G/H	1.5mm	2.5mm	3.5mm	4.5mm	5.5mm
	Code	G-S15ACR	G-S25ACR	G-S35ACR	G-S45ACR	G-S55ACR

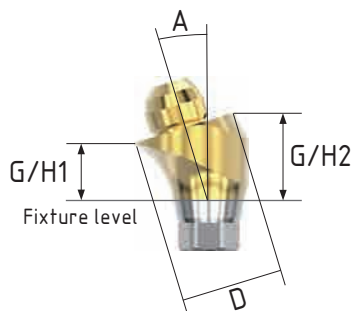
Multi-screw Angled Abutment



Angled Abutment Guide



Angled Abutment Screw



Exclusive Angled Abutment Screw
 Fix with unigrip driver
 Implant fixture angle covers up to 108°
 Recommended torque allowance :
 NP(35Ncm), RP(35Ncm)
 packing unit : Multi-screw Angled Abutment
 + Angled Guide + screw

	G/H2	3.0mm	4.0mm	5.0mm	4.0mm	5.0mm	6.0mm	
	G/H1	1.5mm	2.5mm	3.5mm	1.5mm	2.5mm	3.5mm	
	A	17°	17°	17°	30°	30°	30°	
D 4.8 NP (3.5)								
	Code	G-A1715ACN	G-A1725ACN	G-A1735ACN	G-A3015ACN	G-A3025ACN	G-A3035ACN	G-AACNC
	G/H2	3.0mm	4.0mm	5.0mm	4.0mm	5.0mm	6.0mm	
	G/H1	1.5mm	2.5mm	3.5mm	1.5mm	2.5mm	3.5mm	
	A	17°	17°	17°	30°	30°	30°	
D 4.8 RP (4.3/5.0)								
	Code	G-A1715ACR	G-A1725ACR	G-A1735ACR	G-A3015ACR	G-A3025ACR	G-A3035ACR	G-AACRC

Multi-screw prosthetic components

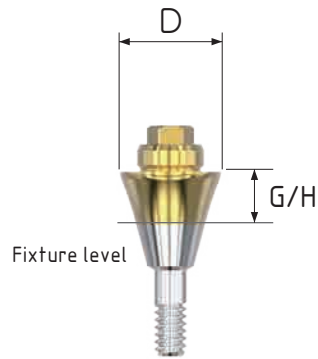
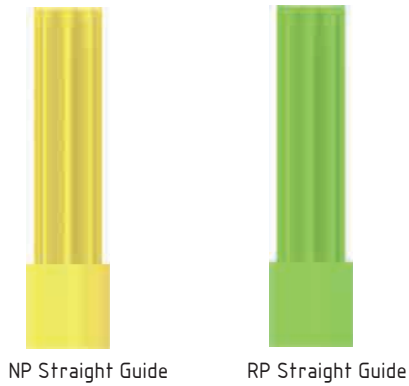
AC - Series (Nobel Biocare Active) Multi-screw ABT

Product	Healing cap & H-Scanbody	T-Scanbody & Transfer Impression Coping	SC2-Scanbody	Pick-up Impression Coping	3D Analog (Straight)	3D Analog (Angled 17°)	3D Analog (Angled 30°)
Image							
Code	HC-G4840N	IP-G48TN	SC2-G48N	IP-G48PN	3D-G48S	3D-G4817A	3D-G4830A

Product	Temporary Cylinder	LB Cylinder (Short)	LB Cylinder (Long)	CCM Cylinder	Cylinder Screw
Image					 unigrip Driver 15 Ncm
Code	TA-G48N	LB2-G4840N	LB2-G4860N	G48N	MUTNC

BL - Series (Straumann Bonlevel) Multi-screw ABT

Multi-screw Straight Abutment



Fix with special Straight Guide
 Recommended torque allowance: 30 Ncm(Driver code: G-DV)
 packing unit : Multi-screw Straight Abutment + Straight Guide

	G/H	1.5mm	2.5mm	3.5mm	4.5mm	5.5mm
D 4.8 NC (3.3)						
	Code	G-S15BLM	G-S25BLM	G-S35BLM	G-S45BLM	G-S55BLM
D 4.8 RC (4.1/4.8)	G/H	1.5mm	2.5mm	3.5mm	4.5mm	5.5mm
	Code	G-S15BLR	G-S25BLR	G-S35BLR	G-S45BLR	G-S55BLR

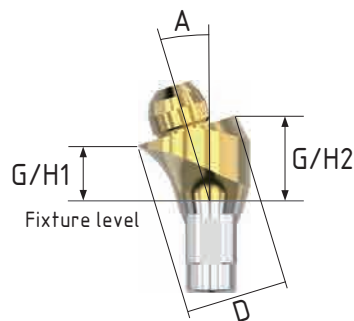
Multi-screw Angled Abutment








Angled Abutment Guide



Angled Abutment Screw

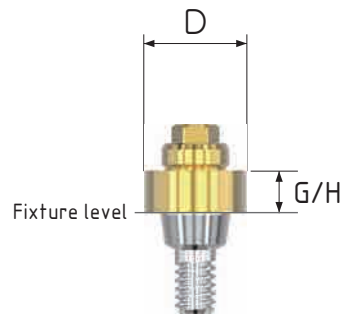


Exclusive Angled Abutment Screw
 Fix with Torx driver
 Implant fixture angle covers up to 108°
 Recommended torque allowance :
 NC(35Ncm), RC(35Ncm)
 packing unit : Multi-screw Angled Abutment
 + Angled Guide + screw

	G/H2	3.0mm	4.0mm	5.0mm	4.0mm	5.0mm	6.0mm	
	G/H1	1.5mm	2.5mm	3.5mm	1.5mm	2.5mm	3.5mm	
	A	17°	17°	17°	30°	30°	30°	
D 4.8 NC (3.3)								
	Code	G-A1715BLM	G-A1725BLM	G-A1735BLM	G-A3015BLM	G-A3025BLM	G-A3035BLM	G-ABLC
	G/H2	3.0mm	4.0mm	5.0mm	4.0mm	5.0mm	6.0mm	
	G/H1	1.5mm	2.5mm	3.5mm	1.5mm	2.5mm	3.5mm	
	A	17°	17°	17°	30°	30°	30°	
D 4.8 RC (4.1/4.8)								
	Code	G-A1715BLR	G-A1725BLR	G-A1735BLR	G-A3015BLR	G-A3025BLR	G-A3035BLR	G-ABLC

IT - Series (Straumann Tissue level) Multi-screw ABT

Multi-screw Straight Abutment



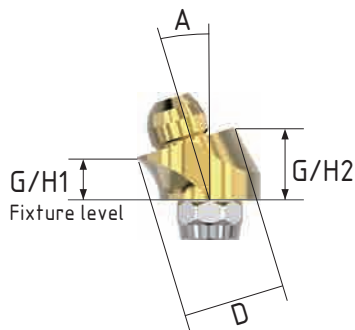
Fix with special Straight Guide
 Recommended torque allowance: 35 Ncm(Driver code: G-DV)
 packing unit : Multi-screw Straight Abutment + Straight Guide

	G/H	1.0mm	2.0mm
D 4.8 RN (4.8)			
	Code	G-S10ITR	G-S20ITR

Multi-screw Angled Abutment



Angled Abutment Screw










Exclusive Angled Abutment Screw
 Fix with Torx driver
 Implant fixture angle covers up to 108°
 Recommended torque allowance :
 RN(35Ncm)
 packing unit : Multi-screw Angled Abutment
 + Angled Guide + screw


	G/H2	2.5mm	3.5mm	3.5mm	4.5mm	
	G/H1	1.0mm	2.0mm	1.0mm	2.0mm	
	A	17°	17°	30°	30°	
D 4.8 RN (4.8)						
	Code	G-A1710ITR	G-A1720ITR	G-A3010ITR	G-A3020ITR	G-AITC

Multi-screw prosthetic components

BL - Series (Straumm Bonlevel) Multi-screw ABT









IT - Series (Straumm Tissue level) Multi-screw ABT

Product	Healing cap & H-Scanbody	T-Scanbody & Transfer Impression Coping	SC2-Scanbody	Pick-up Impression Coping	3D Analog (Straight)	3D Analog (Angled 17°)	3D Analog (Angled 30°)
Image							
Code	HC-G4840S	IP-G48TS	SC2-G48S	IP-G48PS	3D-G48S	3D-G4817A	3D-G4830A

Product	Temporary Cylinder	LB Cylinder (Short)	LB Cylinder (Long)	CCM Cylinder	Cylinder Screw
Image					 Tox Driver 15 Ncm
Code	TA-G48S	LB2-G4840S	LB2-G4860S	G48S	MUTSC

Multi-screw Abutment Tool

Geo Straight Driver(for Multi-screw Angled Abutment)

OSS - Series (Multi-screw Angled) XV - Series (Multi-screw Angled)	DT - Series (Multi-screw Angled) AS - Series (Multi-screw Angled) TSV - Series (Multi-screw Angled)	AC - Series (Multi-screw Angled)	BL - Series (Multi-screw Angled) IT - Series (Multi-screw Angled)
1.2 Hex Square -regular 13mm	1.27 Hex Square -regular 13mm	unigrip Square -regular 13mm	Torx Square -regular 13mm
 SSD3IR	 SSDATR	 SSDNBR	 SSDSTR
1.2 Hex Square -Long 20mm	1.27 Hex Square -Long 20mm	unigrip Square -Long 20mm	Torx Square -regular 20mm
 SSD3IL	 SSDATL	 SSDNBL	 SSDSTL

Handle(Short-Clinic)



HDEC

Multi-screw Straight Driver



G-DV

Torque Wrench Set



GTW

Bidirection torque control
Available for Square Type & Round Type